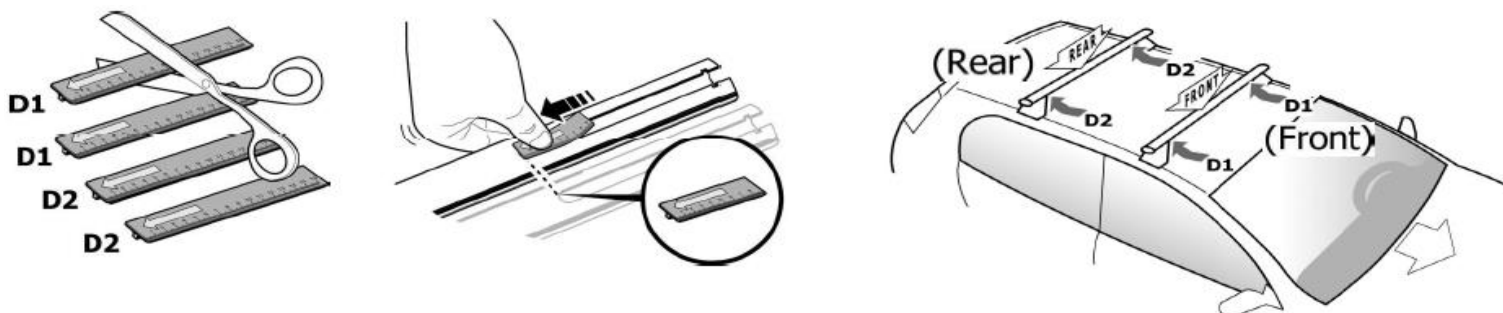
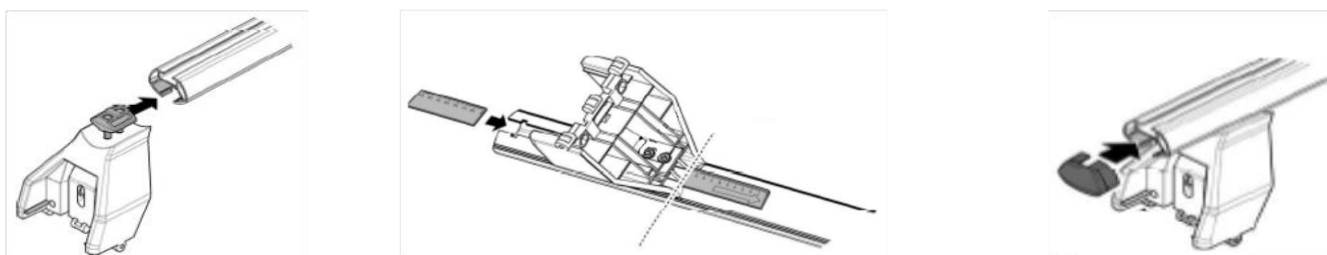


**1**



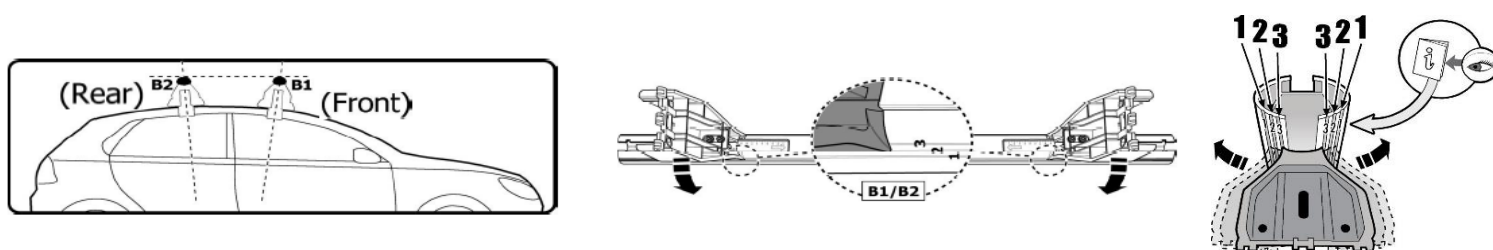
MANUFACTURER	MODEL CAR	DOORS	MODEL YEAR	D1	D2
LANCIA	Y	3	95>03	11,2	13,3

**2**



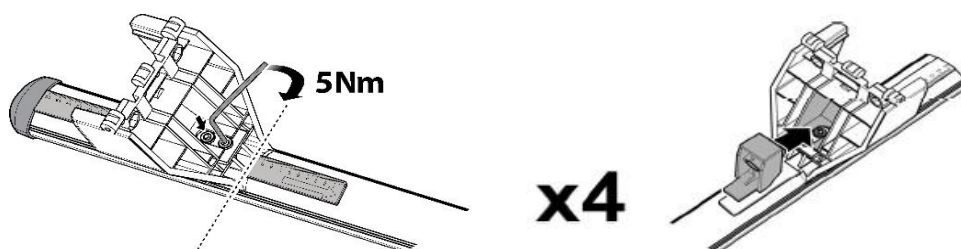
**x4**

**3**

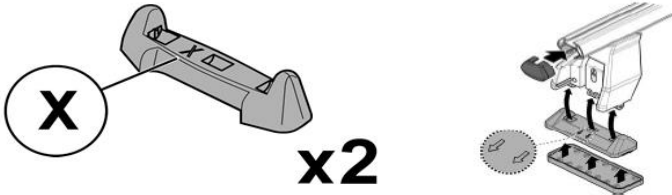


MANUFACTURER	MODEL CAR	DOORS	MODEL YEAR	B1	B2
LANCIA	Y	3	95>03	2	2

**4**



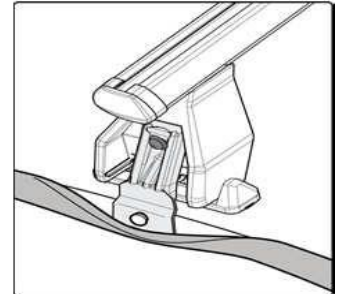
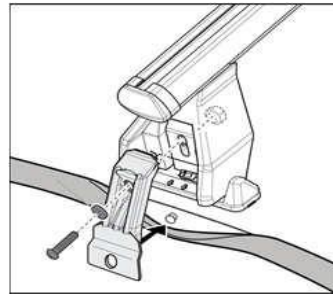
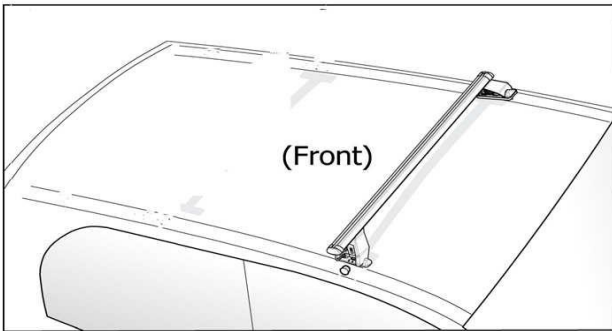
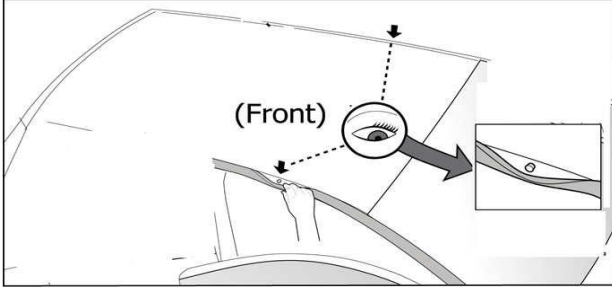
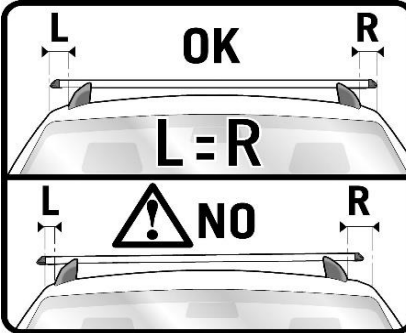
(Front)



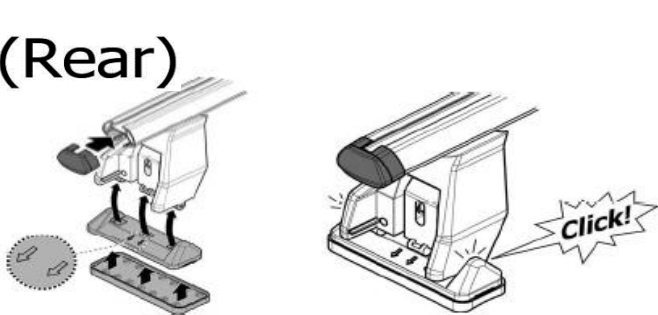
Front  
x



6  
2X



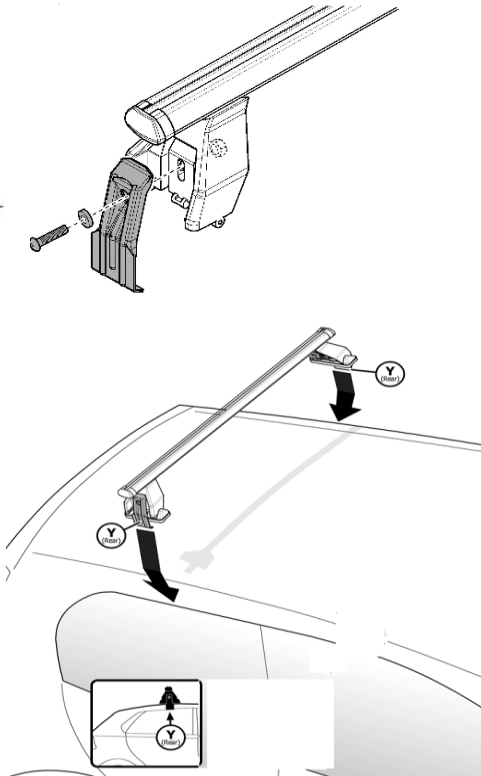
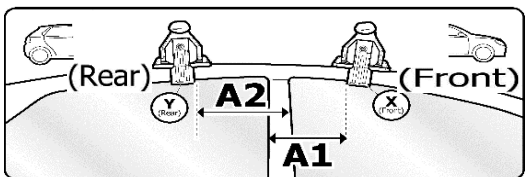
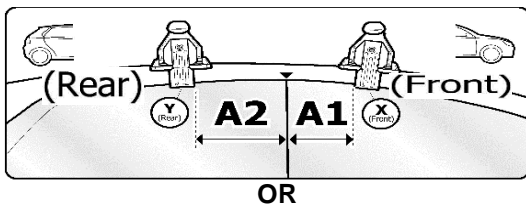
(Rear)



Rear  
y



1R  
2X



MANUFACTURER	MODEL CAR	DOORS	MODEL YEAR	A1 cm	A2 cm	A1 in	A2 in
LANCIA	Y	3	95>03		X		X

X = predisposizione originale /original arrangement