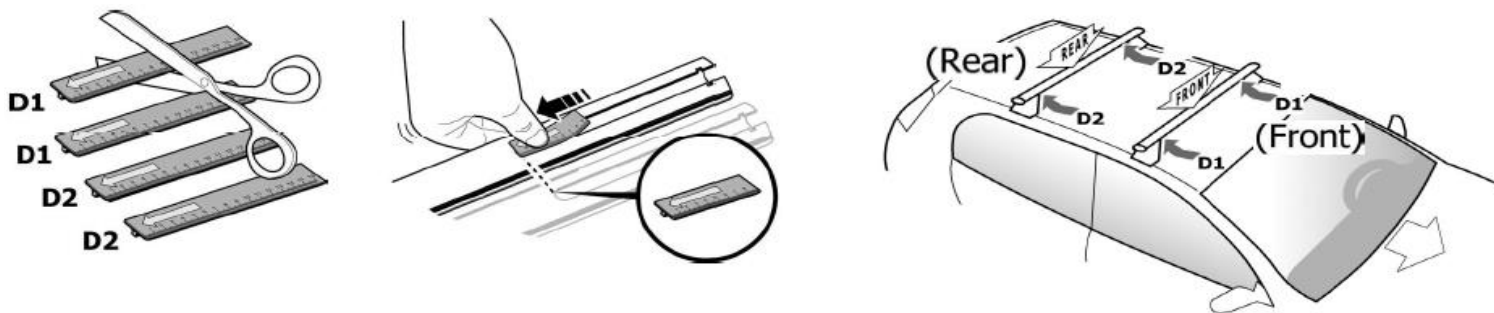
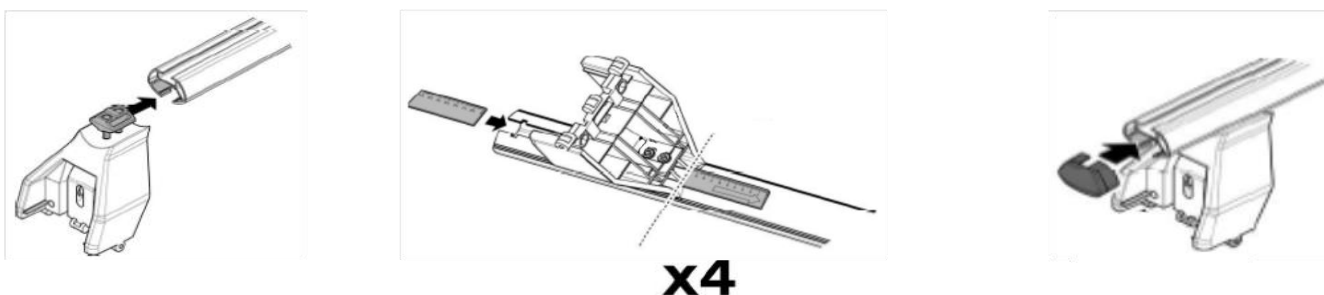


1

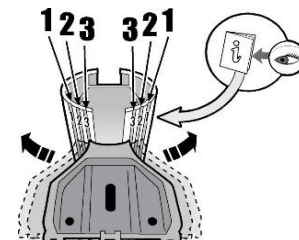
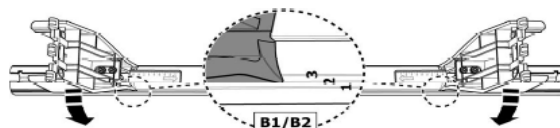
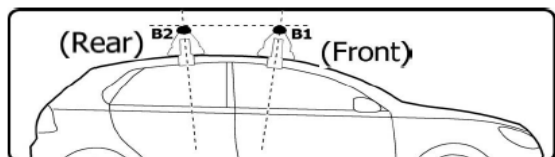


MANUFACTURER	MODEL CAR	DOORS	MODEL YEAR	D1	D2
RENAULT	<i>Clio II</i>	3	98>05	4,0	9,4
RENAULT	<i>Clio Storia/Campus</i>	3	05>12	4,0	9,4

2

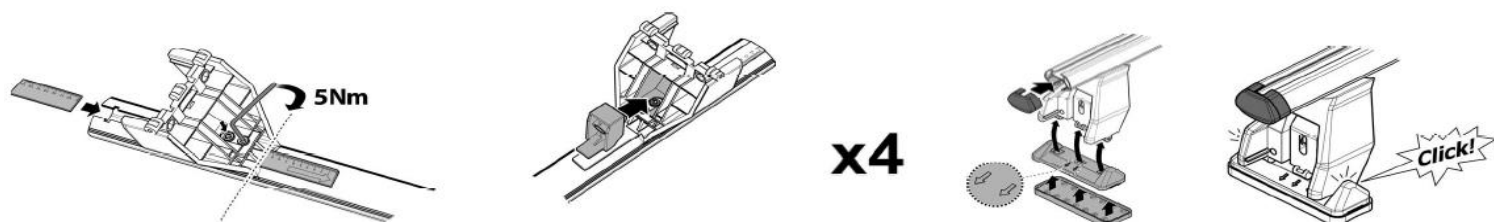


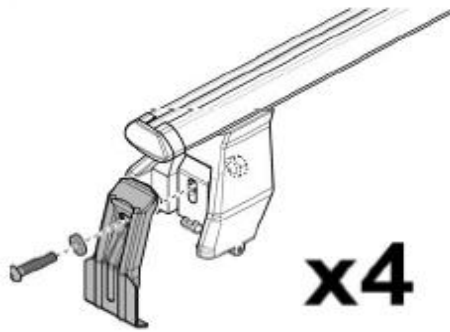
3



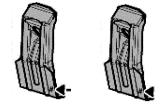
MANUFACTURER	MODEL CAR	DOORS	MODEL YEAR	B1	B2
RENAULT	<i>Clio II</i>	3	98>05	2	1
RENAULT	<i>Clio Storia/Campus</i>	3	05>12	2	1

4

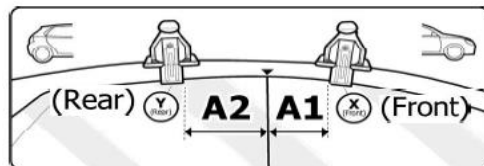
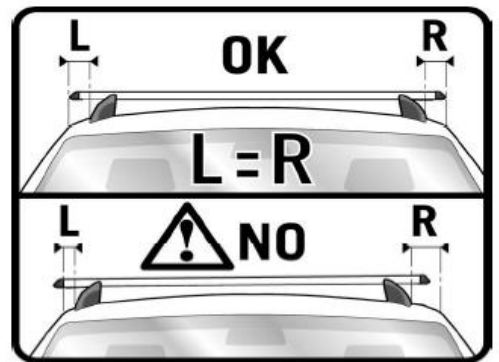
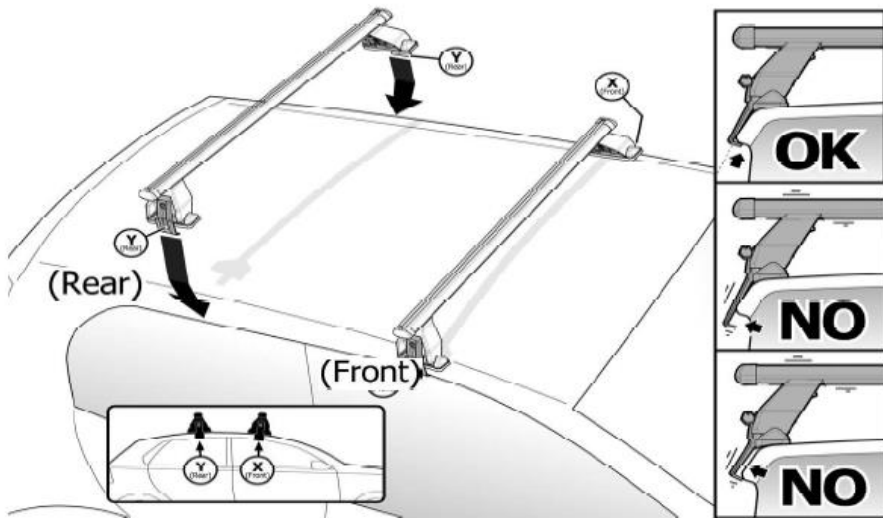




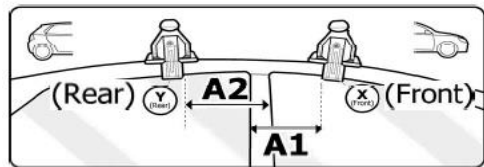
Front	Rear
X	Y



29	11R
x2	x2



OR



MANUFACTURER	MODEL CAR	DOORS	MODEL YEAR	A1	A2	A1	A2
				cm	cm	in	in
RENAULT	Clio II	3	98>05	X	39	X	15,4
RENAULT	Clio Storia/Campus	3	05>12	X	39	X	15,4

X = predisposizione originale /original arrangement