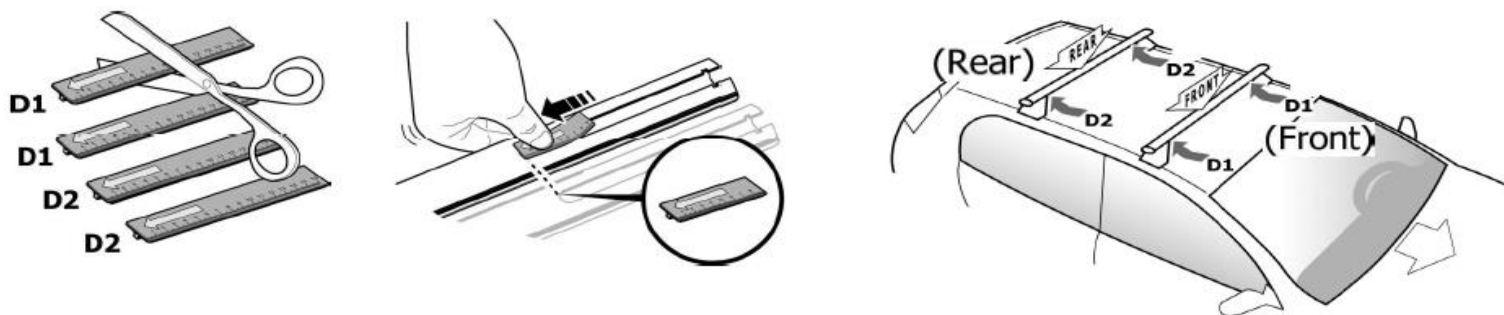
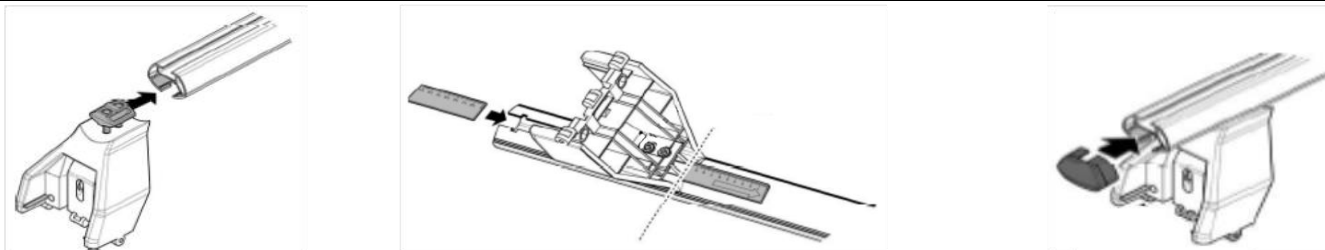


**1**



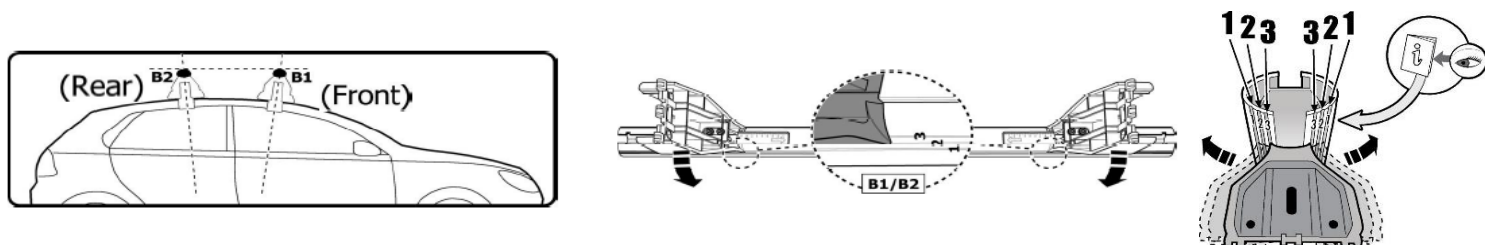
MANUFACTURER	MODEL CAR	DOORS	MODEL YEAR	D1	D2
FORD	B-Max	5	12>	7,4	5,2
LAND ROVER	Freelander 2 (L359)	5	07>15	10,0	9,0
SUZUKI	Swift VI	5	17>	10,5	10,5

**2**



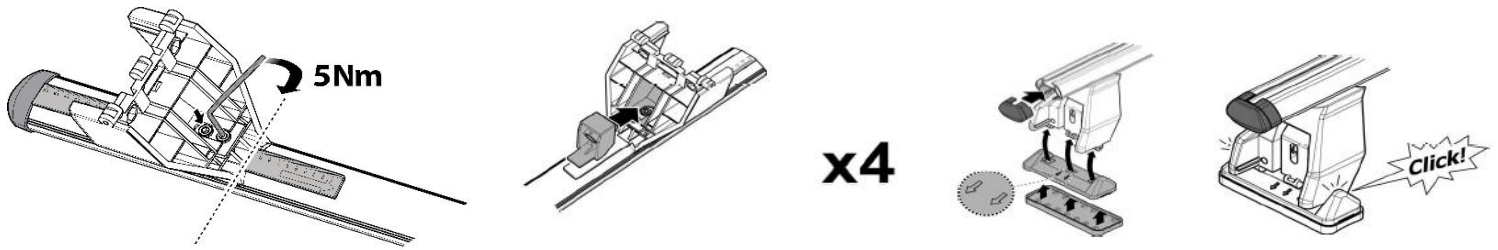
**x4**

**3**

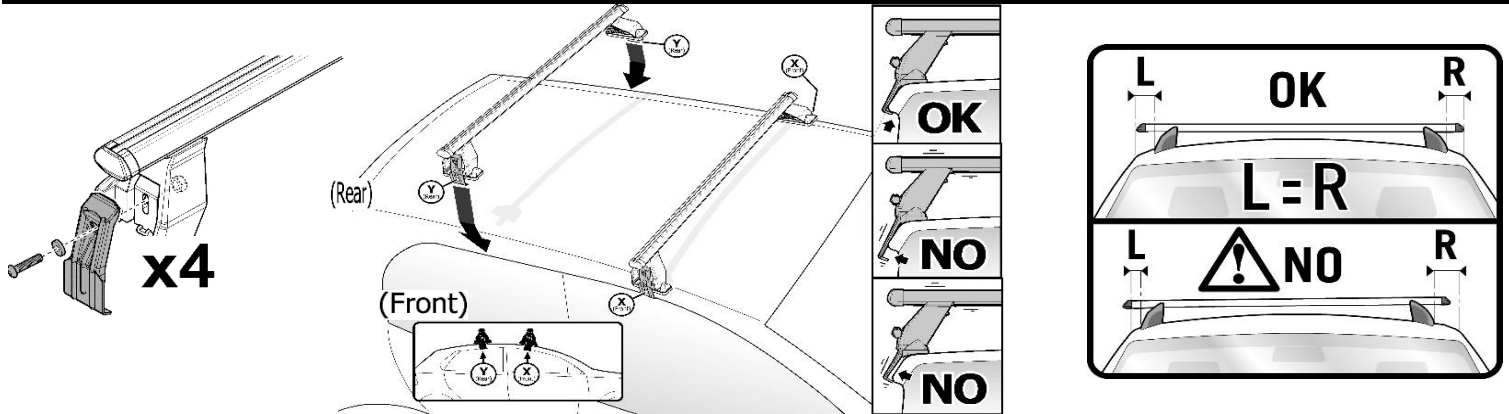


MANUFACTURER	MODEL CAR	DOORS	MODEL YEAR	B1	B2
FORD	B-Max	5	12>	1	2
LAND ROVER	Freelander 2 (L359)	5	07>15	2	2
SUZUKI	Swift VI	5	17>	2	2

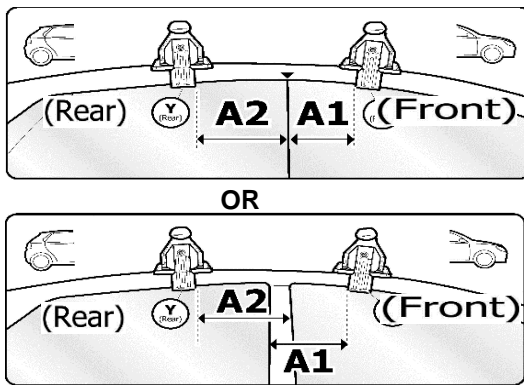
4



5



6



MANUFACTURER	MODEL CAR	DOORS	MODEL YEAR	A1	A2	A1	A2
				cm	cm	in	in
FORD	B-Max	5	12>	25	33	9,8	13,0
LAND ROVER	Freelander 2 (L359)	5	07>15	20	50	7,9	19,7
SUZUKI	Swift VI	5	17>	32	38	12,6	15,0

X = predisposizione originale /original arrangement